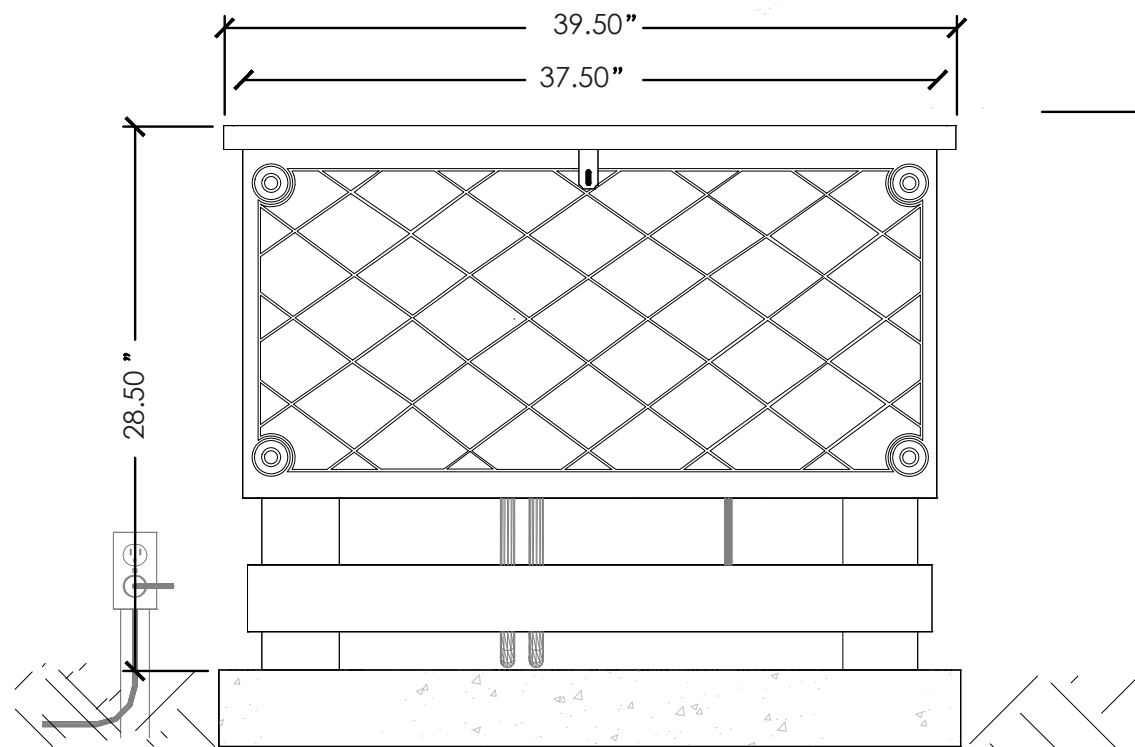


- MODEL FFP-546-4 ALL ALUMINUM MANIFOLD WITH PRESSURE RELIEF VALVE, LIQUID-FILLED STAINLESS STEEL PRESSURE GAUGE (0-30 PSI RATED) AND 4-VALVE MANIFOLD WITH BRASS BARB OUTLETS.
- TR QUIET LINE AERATION SYSTEM CABINET MADE OF 100% RECYCLED PLASTIC WITH THE DIMENSIONS OF 21.50" (L) X 37.50" (W) X 18.50" (H).
- HIGH-FLOW SQUIRREL CAGE BLOWER, RATED AT 275 CFM FOR CABINET COOLING. FAN COMES WITH OILABLE BEARINGS AND SCREENED INLET AND OUTLET OPENING(S).
- AIR FILTER ASSEMBLY (AC432) AND FILTER ELEMENT (AC393)
- CONTROLS 24 HOUR/ 7 DAY DIGITAL TIMESWITCH. 120V, SPST AND SPDT SWITCHING, 1 CHANNEL, 6.3MM X 0.8MM TAB TERMINAL(S) CONNECTION(S) (COMPLIES WITH DIN 46244).
- 120V OUTLET
- INTERIOR OF CABINET, FITTED AND GLUED WITH ACOUSTICAL CONVOLUTED FOAM INSULATION. 1" ASTM RATED C 423-90A, TO THE NEAREST 0.05 SABINS/FT² WITH A NOISE REDUCTION COEFFICIENT OF 0.40. OSHA APPROVED SOUNDPROOFING AND UL-94 RATING.
- 1/3 HP GAST (MODEL 75R640) ROCKING PISTON COMPRESSOR WITH AIR OUTPUT OF 13.35 CFM AT 0 PSI, 40 PSI MAXIMUM CONTINUOUS DUTY OPERATION. COMPRESSOR DRAWS A MAXIMUM OF 15.9 AMPS @ 115V. COMPRESSOR IS WIRED FOR 115V AND IS FITTED WITH A DUPLEX WIRING BOX/ PLUG, SERVICING THE COMPRESSOR AND COOLING FAN.

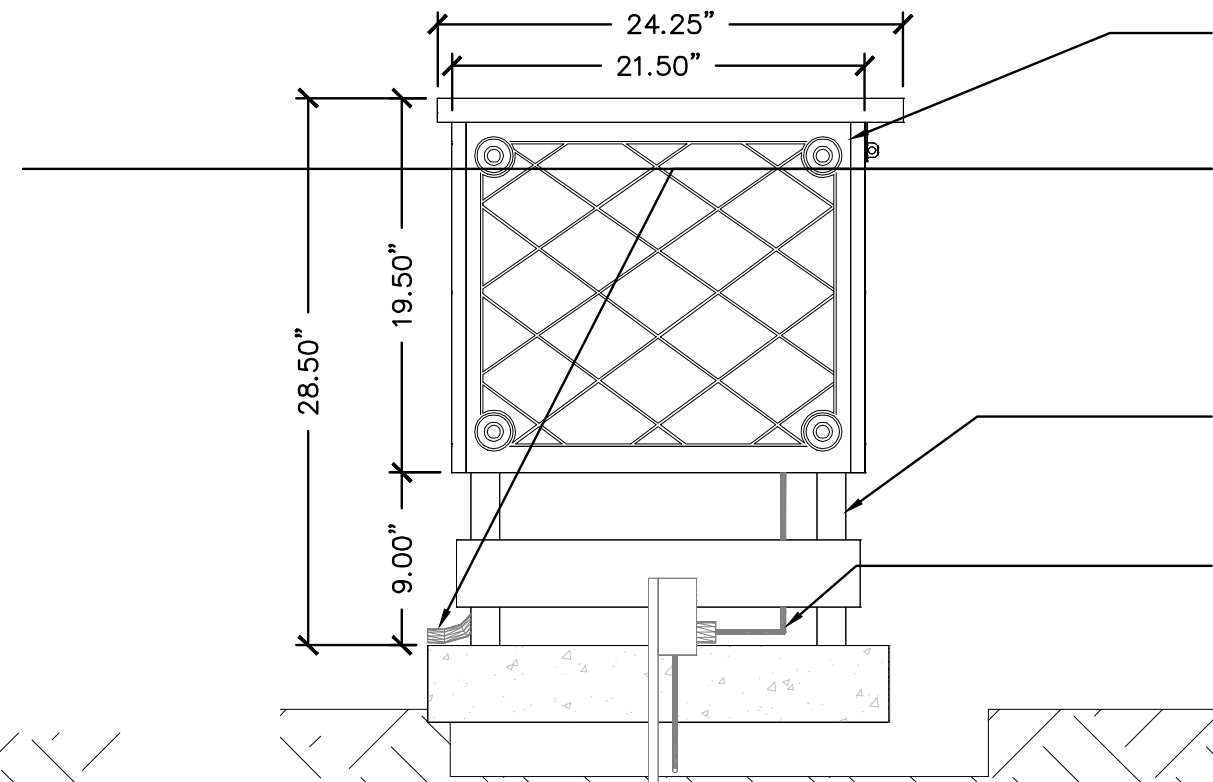
TOP VIEW (SEE SHEET #2)

NOT TO SCALE



FRONT VIEW

NOT TO SCALE



SIDE VIEW

NOT TO SCALE

- TR QUIET LINE AERATION SYSTEM CABINET MADE OF 100% RECYCLED PLASTIC WITH THE DIMENSIONS OF 21.50" (L) X 37.50" (W) X 18.50" (H). CABINET LID COVER SECURED WITH PIANO HINGE (BACK) AND LOCKABLE HASP (FRONT).
- (4-8) AIR OUTLET LINES FROM COMPRESSOR THROUGH CABINET WITH 1/2" 220 PSI RATED FLEXIBLE BRAIDED VINYL TUBING. EACH FLEXIBLE TUBING OUTLET SHALL BE 4'-0" LONG AND FITTED WITH 1/2" ID BARB CONNECTS. ALL AERATION SYSTEMS SHALL BE FURNISHED WITH STAINLESS STEEL 1/2" WORMDRIVE CLAMPS TO FIT 5/16" - 1/2" HOSE, MODEL 67-06-1 TO CONNECT ON SHORE AND TO DURAPLATE(S) (DDP-9) IN LAKE.
- CABINET IS CONSTRUCTED WITH (4) LEGS THAT CAN BE BOLTED TO A CONCRETE SLAB (39" (L) X 39" (W) X 4" (H)).
- SYSTEM COMES WITH 8' 120V (14-3) HEAVY DUTY WIRING CORD WITH PLUG END.



1520 Aquatic Drive
Wellington, Colorado 80549
O: (970) 568-7754
TF: (800) 493-4831
www.keetonaquatics.com

TITLE: QUIET LINE AERATION SYSTEM TR SERIES - MULTI VIEW	
DATE: 7-30-13	SHEET: 1